

Exterior Bollard LED

EB0420
INSTALLATION SHEET

START FROM HERE

- Make sure power is completely off at the fuse box.
- Have your fixture installed by a qualified licensed electrician
- Prepare everything in a clear area.
- Wear gloves at all times during this installation.
- Read instructions carefully before you start assembly.
- Keep this instruction sheet for future reference.

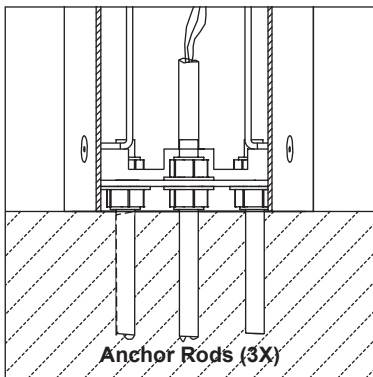
Technical Support: 1-877-452-6858

Please Note:

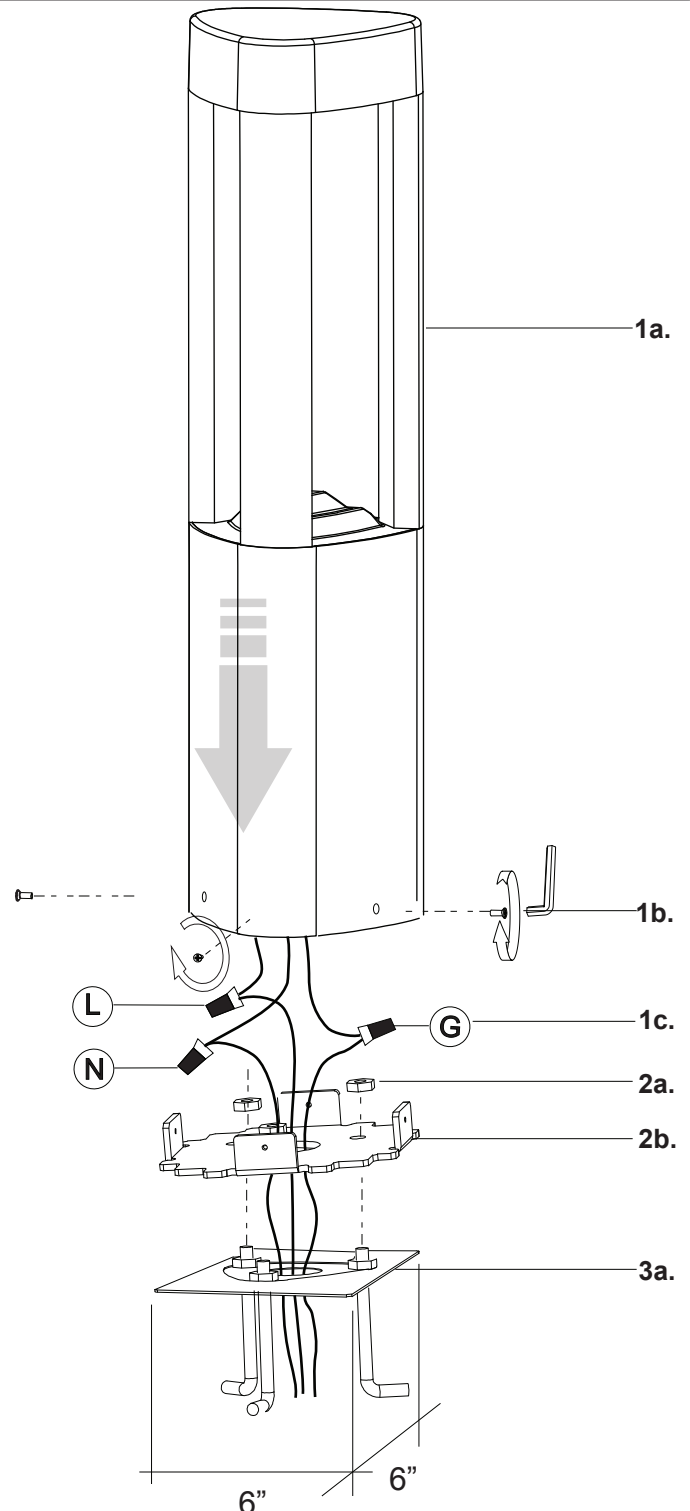
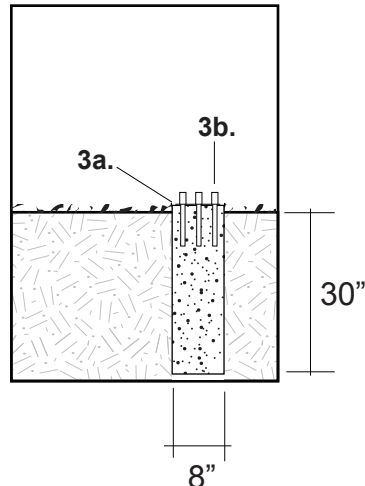
- All Kuzco LED fixtures come with pre-wired LED module(s).
- Unless instructed to do so, please do not touch any part of the LED module(s) as any unnecessary contact with the module could cause permanent damage.
- For dimming, an ELV (Electronic Low Voltage) type of dimmer is required.

- 1.** Prior to installing the fixture, secure the anchor bolts and alignment plate **(2c)** into the cement. Insure the leads, electrical wires are passing up through the center of the alignment plate
For in-ground mounted bollards prepare the ground with an opening of a minimum 30"X8"X8", this will be your cement fill box. Pour in cement and level. With the cement still wet place in the anchor plate **(3a)** and bolts flush. **Important**, insure the plate is level, add supports if necessary. If the threads on the bolts are without plastic caps, locate these in the package and connect **(3b)**. (see **Illustratoin in-ground**)
- 2.** After the cement has cured remove the alignment anchor plate **(3a)** and plastic caps and install the baseplate **(2b)**. Use the nuts provided **(2a)** and thread the baseplate down until secured. Again, be sure to feed the leads, electrical wires up through the center of the baseplate **(2b)**.
- 3.** Connect the supply lines from the supply conduit to the fixture's input leads **(1c)** confirm to the local electrical code. Tie the wires so they do not lie on or have contact with the ground. Set the fixture **(1a)** onto the baseplate **(2b)** and tighten the four mounting screws **(1b)** with Allen Key **(1b)** to secure the fixture **(1a)**. Be sure not to crimp any wires between the baseplate and tube.
- 4.** You have now completed the installation of your fixture, enjoy.

Mounting Details



(Illustratoin in-ground)



KUZCO
LIGHTING

19054 28th Avenue Surrey, BC Canada V3S 6M3
T: 604 538 7162 TF: 1-855 85 KUZCO F: 604 538 7196
W: kuzcolighting.com
20160529